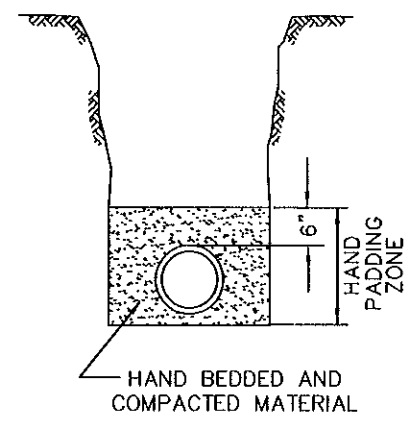


SIDE SEWER IN PRIVATE PROPERTY
NTS

SITE CONSTRUCTION NOTES

- A. CONNECTION MADE TO MAIN STACK (FERNCO COUPLING)
- B. 30-INCH MINIMUM DISTANCE FROM HOUSE
- C. 18-INCH MINIMUM COVER INSIDE PROPERTY LINE
- D. WYE FOR CLEANOUT WITH PLUG.



VAL VUE SEWER DISTRICT
SIDE SEWER REQUIREMENTS
NOT TO SCALE

GENERAL REQUIREMENTS

1. Side Sewer Permit is required prior to work being started.
2. Legal description of lot and plot plan with dimensions must be provided.
3. All work done in the public right of way must be done by a licensed and bonded contractor.
4. Bedding of pipe must be done by hand. No backfilling will be done until inspection is completed and approved.
5. Bedding and initial backfill material must be free from large rocks.

SIDE SEWER REQUIREMENTS

1. 4-inch (minimum size) sewer pipe required on property, 2% minimum grade ($\frac{1}{4}$ " fall per foot).
2. Joint side sewers require 6 inch pipe for common use and require an easement agreement. No more than 4 single family residences are allowed to connect into one 6 inch sewer stub.
3. Listing of approved pipe:

PVC = Type SDR-35 ASTM-3034 (with standard gasket joints)

ABS = Type DWV Schedule 40 ASTM D 2661 (with solvent weld or glue joints)

NOTE: Solvent weld joints are only permitted in conjunction with ABS type pipe not PVC.